

15 WARRANTY / CONTACT US

WHAT IS NOT COVERED BY MANUFACTURER WARRANTY

1. Damages resulting from any of the following:
 - a. Improper installation or maintenance
 - b. Any repair, modification, alteration or adjustment not authorized by the manufacturer or an authorized service dealer
 - c. Misuse, accidents, and/or neglect
 - d. Incorrect electric current, voltage or power supply
 - e. Improper setting of any control (Pressing multiple selections at the same time)
 - f. Improper chemical cleaning (commercial or industrial cleaning agents)
2. Products purchased for use in an outdoor, commercial, and/or industrial setting (such as in a hotel, office, restaurant, or other business)
3. Damage resulting from natural disasters (earthquake, flood, storm, etc.)
4. Regular maintenance for the product
5. Wear and maintenance items such as:
 - a. Aluminum Filters, Baffle Filters, Charcoal Filters, Mesh Filters, Oil cups, Lighting bulbs, light fixtures etc.
6. Corrosion
7. Oil Cup
8. Motor Cage
9. Light Bulbs

No returns refunds exchanges if the hood

- Is missing parts
- Been Installed
- Been Used

CONTACT US

Windster Hoods, Inc.
www.windsterhood.com
Information subject to change without notice.

WINDSTER™

www.windsterhood.com

User's Manual

UNDER CABINET SERIES
WALL MOUNT SERIES

WS-3230SS
WS-3236SS
WS-3242SS
WS-3248SS

NOTE: PLEASE INSPECT HOOD IMMEDIATELY UPON RECEIVING. CLAIM OF DAMAGE AFTER 7 DAYS OF DELIVERY WILL BE DENIED.

This unit is designed for indoor residential use only. DO NOT USE OVER A WOOD GRILL OR MOUNT IN OUTDOOR ENVIRONMENT.



Please read this operation manual thoroughly before using your range hood. Store it in a safe location for when you need to reference it in the future.

Table of Contents

Safety Information 2 - 3

Content Checklist 4

Measurements 5

Preparation 6 - 7

Installation 8

Operation & Features 8 - 9

Cleaning & Maintenance 10

Troubleshooting 11

Parts List / Replacement 12

Light Bulb Installation 13

Warranty / Contact Us 14-15

WARRANTY / CONTACT US

LIMITED WARRANTY

Windster Hoods Inc. warrants its product against defects in material or workmanship as follows:

Labor: For a period of (1) year from the date of purchase, if the product is determined to be defective, Windster will attempt to repair the product, at its option, at no charge. After the warranty period has expired, the consumer will be responsible for all labor fees. (All labor repairs are limited to the installation of internal components)

Parts: Windster Hoods, Inc. will supply, at no charge, new or rebuilt replacements in exchange for defective parts for a period of two (2) years. After the warranty period, consumer will be responsible for all parts costs. During the "parts" warranty period, there will be no charge for parts.

Motor: Windster Hoods, Inc. will also provide, at no charge, new or rebuilt motor parts in exchange for defective parts for a period of five (5) years, excluding motor cages. After the warranty period, consumer will be responsible for all motor parts costs. During the "motor" warranty period, there will be no charge for motor parts.

Please keep the original sales receipt, as it will constitute as your proof of purchase. Consumer must provide the serial number and the original sales receipt to submit a warranty claim. Warranty claims submitted without serial number and original sales receipt will be denied. This warranty applies only to products purchased and serviced in the United States.

For products purchased in Canada, please contact your local retailer where you purchased the unit for service.

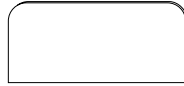
Windster Hoods, Inc. will not be held liable for removal and/or installation fees of the malfunctioning, defective, and/or replacement unit.

*Windster Hoods, Inc. reserves the right to determine the validity of your warranty claim.


13 LIGHT BULB INSTALLATION

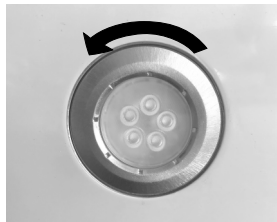
Using the light fixture tool provided, lineup each corner of the fixture tool in parallel with the notches located on the outer ring of the light fixture. Twist the outer ring counter clockwise to unlock the light fixture housing.

Light Fixture Tool



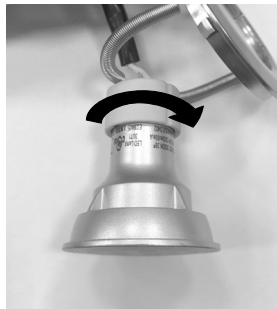
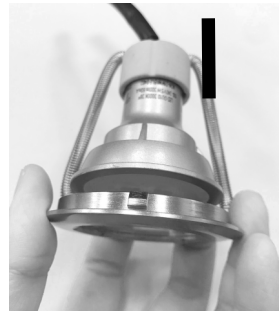
WARNING!!!

 Check to make sure all power sources are disconnected before starting any troubleshooting. Safety gloves and glasses should be worn when working on the unit. Serious injury or death may occur if safety precautions are not followed.



Step 1
Twist light ring counter-clock wise to unlock

Step 2
Pull the light upward



Step 3
Push light to left or right side

Step 4
Remove the light by turning light counter-clock wise



SAFETY INFORMATION 2

SAFETY INFORMATION

"CAUTION-To reduce risk of fire, properly exhaust air according to local city building code(s).

"WARNING-To reduce the risk of fire or electric shock, do not use this fan with any solid- state speed control device.(Variable Speed Controller)

"WARNING-TO REDUCE THE RISK OF FIRE, ELECTRIC SHOCK, OR INJURY OBSERVE THE FOLLOWING:

- Installation work and electrical wiring must be done by qualified person(s) in accordance with all applicable codes and standards, including fire-rated construction.
- Sufficient air is needed for proper combustion and exhausting of gases through the flue (chimney) of fuel burning equipment to prevent back drafting, Follow the heating equipment manufacturer's guideline and safety standards such as those published by the National Fire Protection Association (NFPA), and the American Society for Heating, Refrigeration and Air Conditioning Engineers (ASHRAE), and the local code authorities.
- When cutting or drilling into wall or ceiling, do not damage electrical wiring and other hidden utilities.
- Ducted fans must always be vented to the outdoors.
- If this unit is to be installed over a tub or shower, it must be marked as appropriate for the application and be connected to a GFCI(Ground Fault Circuit Interrupter)-protected branch circuit.
- Never place a switch where it can be reached from a tub or shower.

WARNING-TO REDUCE THE RISK OF FIRE, USE ONLY METAL DUCTWORK.

"WARNING-TO REDUCE THE RISK OF INJURY TO PERSONS IN THE EVENT OF A RANGE TOP GREASE FIRE, OBSERVE THE FOLLOWING^a:

A. SMOTHER FLAMES with a close- fitting lid, cookie sheet, or metal tray, then turn off the burner.

BE CAREFUL TO PREVENT BURNS. If the flames do not go out immediately

EVACUATE AND CALL THE FIRE DEPARTMENT.

B. NEVER PICK UP A FLAMING PAN - You may be burned.

C. DO NOT USE WATER including wet dishcloths or towels - a violent steam explosion may result.

3 SAFETY INFORMATION

D. Use an extinguisher ONLY if:

1. You know you have a **Class ABC** extinguisher, and you already know how to operate it.
2. The fire is small and contained in the area where it started.
3. The fire department is being called.
4. You can fight the fire with your back to an exit.

WARNING-TO REDUCE THE RISK OF FIRE, ELECTRIC SHOCK, OR INJURY OBSERVE THE FOLLOWING:

- a) Use this unit only in the manner intended by the manufacturer, if you have questions, contact the manufacturer.
- b) Before servicing or cleaning unit, switch power off at service panel and lock service disconnecting means to prevent power from being switched on accidentally. When the service disconnecting means cannot be locked, securely fasten a prominent warning device, such as a tag, to the service panel.

CAUTION-For General Ventilating Use Only. Do Not Use To Exhaust Hazardous Or Explosive Materials And Vapors.

WARNING-TO REDUCE THE RISK OF A RANGE TOP GREASE FIRE:

- a) Never leave surface units unattended at high settings. Boil overs caused by smoking and greasy spillovers that may ignite. Heat oils slowly on low or medium settings.
- b) Always turn hood ON when cooking at high heat or when flambéing food (i.e. Crepes Suzette, Cherries Jubilee, Peppercorn Beef Flambé).
- c) Clean ventilating fans frequently. Grease should not be allowed to accumulate on fan or filter.
- d) Use proper pan size. Always use cookware appropriate for the size of the surface element.

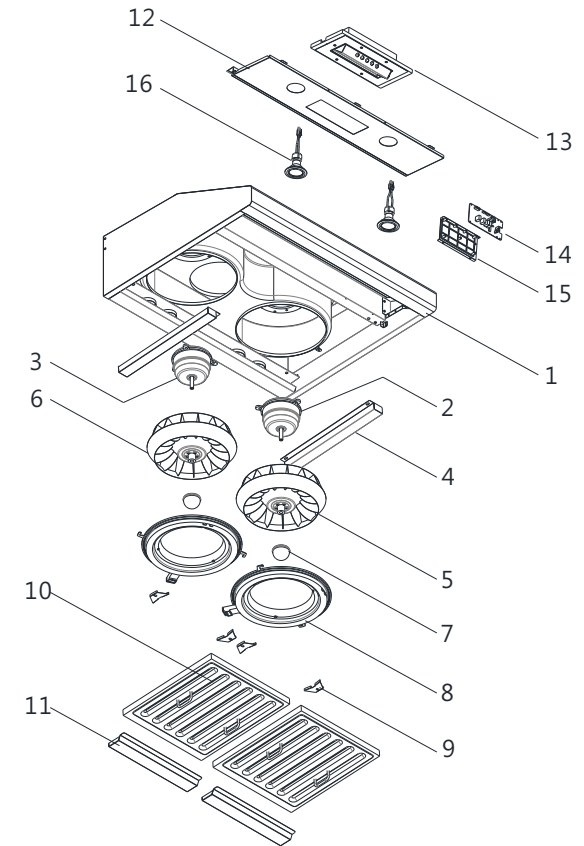
WARNING- PROP. 65 WARNING FOR CALIFORNIA RESIDENTS:

This product may contain chemicals known to the State of California to cause cancer, birth defects, or other reproductive harm.

*Based on "Kitchen Firesafety Tips" published by NFPA.

PART LIST / REPLACEMENT 12


PART LIST / REPLACEMENT



| # | Description | # | Description |
|---|------------------------|----|---------------------------|
| 1 | Hood body assembly | 10 | Baffle filter |
| 2 | Right Motor | 11 | Stainless steel oil tray |
| 3 | Left Motor | 12 | Electronic cover |
| 4 | Stainless steel filler | 13 | Control switch mount |
| 5 | Right Fan | 14 | Main board |
| 6 | Left Fan | 15 | Main board bracket |
| 7 | Fan Cover | 16 | Light set (GU10 LED only) |
| 8 | Oil Tunnel | | |
| 9 | Oil Tunnel Mount | | |

TROUBLESHOOTING

WARNING!!!

 **Check to make sure all power sources are disconnected before starting any troubleshooting. Safety gloves and glasses should be worn when working on the unit. Serious injury or death may occur if safety precautions are not followed.**

| WS-32 Series | |
|--|---|
| Light Issue (One light not turning on) | 1. Replace defective fixture with new fixture. |
| Burnt/melted control switch | 1. Complete Control switch replacement is required. |
| Speed levels not working correctly | 1. Complete Control switch replacement is required. |
| Unit lacking smoke intake | 1. Make sure a reducer has not been installed. |
| Unit showing no power indication | 1. Make sure the power source is working properly. 2. All wiring is connected. |
| Unit making humming noise | 1. Replace defective capacitor. |

CONTENT CHECKLIST

1. CONTENTS INCLUDED

- a. (1) WS32 series(30" , 36" , 42" or 48")hood assembly
- b. (1) User's manual
- c. (1) 7" conversion collar
- d. (2) Baffle filters with handles & (2) stainless steel filler (30")
- e. (2) Baffle filters with handles & (2) stainless steel filler (36")
- f. (3) Baffle filters with handles & (2) stainless steel filler (42")
- g. (3) Baffle filters with handles & (2) stainless steel filler (48")
- h. (2) Stainless steel oil trays (30" and 36")
- l. (3) Stainless steel oil trays (42" and 48")
- j. (1) Screw packet
- k. (1) Light Fixture Tool

2. TOOLS REQUIRED (NOT INCLUDED)

- a. Safety gloves
- b. Safety glasses
- c. Electric drill w/ starter bit
- d. Utility knife
- e. Philips screwdriver
- f. Spirit level
- g. Measuring tape
- h. Writing instrument (pen, marker, pencil)
- l. Aluminum tape

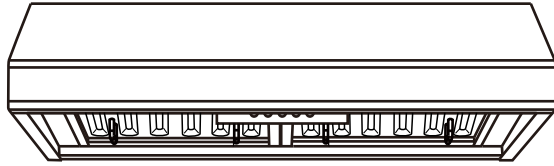


Fig.1a

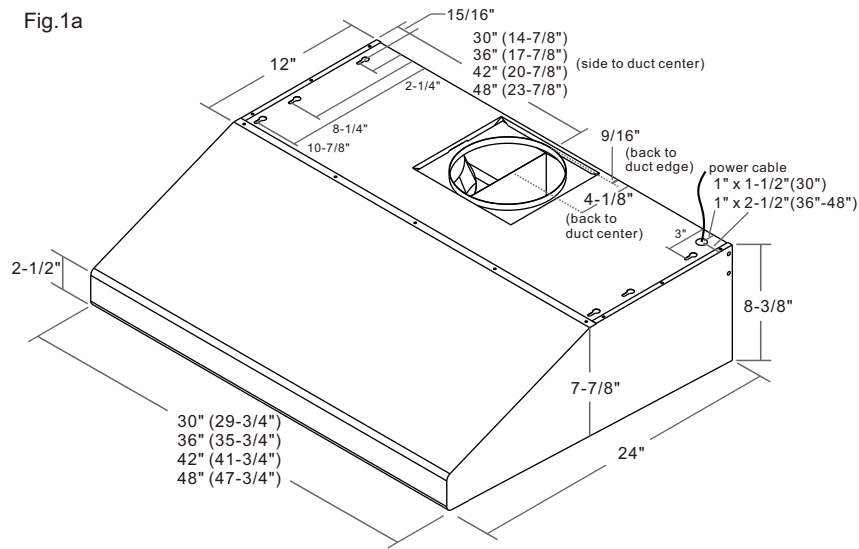
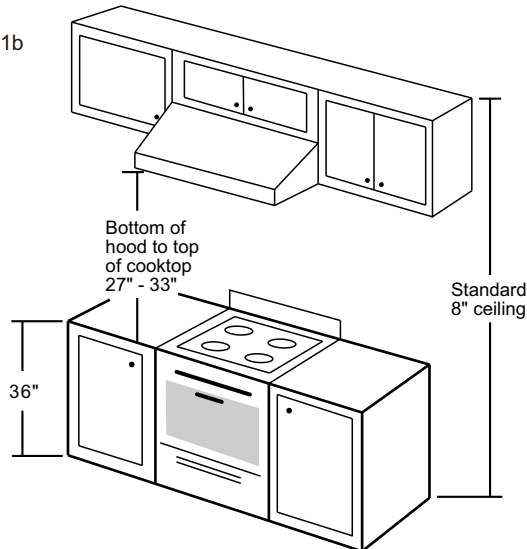


Fig.1b



CLEANING & MAINTENANCE

WARNING!!!

⚠ To prevent the possibility of a fire and explosion, do not use flammable liquids or solvents to clean the unit or any of its parts.

⚠ Check to make sure all power sources are disconnected before servicing or taking unit apart for cleaning.

⚠ Please thoroughly clean the unit weekly as stainless steel can rust under certain condition or by improper cleaning.

1. RANGE HOOD

- a. Use household cleaner to remove grease or dirt from the outer shell of the unit. Spray on wiping cloth or sponge and wipe in the direction of the grain to avoid scratching the unit. (DO NOT SPRAY DIRECTLY ONTO UNIT)
- b. Clean the inner working of the unit periodically to avoid grease build-up.
- c. Do not open control switch panel while the hood is connected to power.
- d. Use stainless steel cleaner to bring back the shine to the unit.

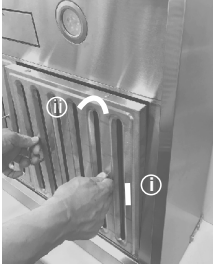
2. FILTERS

- a. Remove filters from unit and place in warm soapy water.
- b. Clean the filters regularly for the most efficient suction power.
- c. Do not drop filters or fillers.
- d. Let it soak thoroughly and then clean it with wiping cloth or sponge.
- e. Filters may also be cleaned using residential dishwasher.

3. REMOVING THE FILTERS

Baffle Filter

- a. **i** Push the handles back/down into the hood and.
- ii** Tilt the filters towards you.



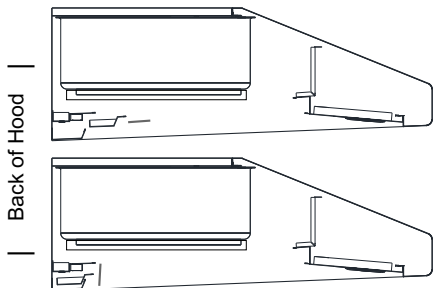
- b. **iii** Remove the baffle filter.



- c. Remove stainless steel oil tray for cleaning.*



* Remove stainless steel oil tray cleaning.



Aluminum Filter Set (Optional)

- a. Pull up on the filter latch, tilt towards you and remove the filter.



- b. **i** Push the frame back/down into the hood.
- ii** Tilt the frame out.



- c. **iii** Remove the frame.



- d. Removing Tray: Lift at an angle and remove stainless steel oil tray for cleaning.*



Note:

1. Aluminum filter can be removed with the frame.
2. Aluminum filter and frame are not included. They are optional and have to be purchased separately.

PREPARATION

1. BEFORE YOU START

****DO NOT INSTALL IF DAMAGED****

****RETURN OR EXCHANGE WILL BE DENIED IF INSTALLED****

- a. Be sure you have all the content of your purchase and required tools for this installation.
- b. Installation may take at least 1 to 2 hours from start to finish.
- c. Plan to use as few elbows or turns as possible for more efficient air flow.
- d. Collar size may need to be increased if utilizing a long duct run.
- e. At least 12" of vertical duct is required before any turn.
- f. Do not try to install this unit by yourself, **SERIOUS INJURY MAY OCCUR.**
- g. At least two people are needed for installation.
- h. Hiring a certified installer and electrician is recommended.
- i. Cold weather installation will require make-up air or a CFM reducer. Check with your local building codes for more detail.

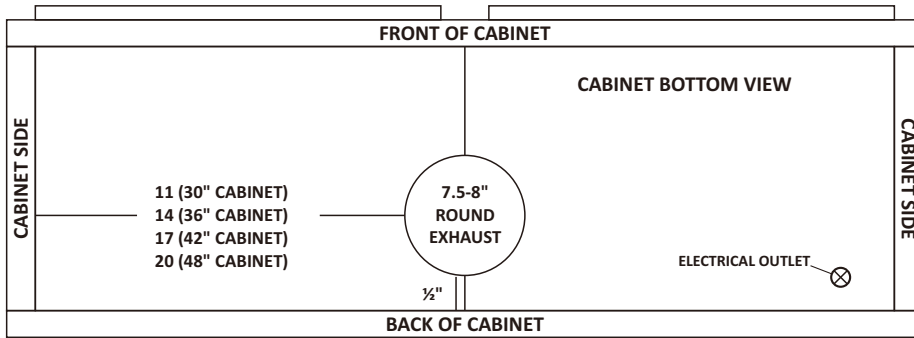
2. LOCATION

- a. Determine the exact location you want to install the range hood.
- b. Distance between cooktop and range hood should be between 27"-33".
- c. Range hood should be mounted at stated measurements to ensure performance and lifespan of electrical components.
- d. Correctly measure the dimension needed to install the unit.

Use Fig. 1a on page 5 for unit measurements

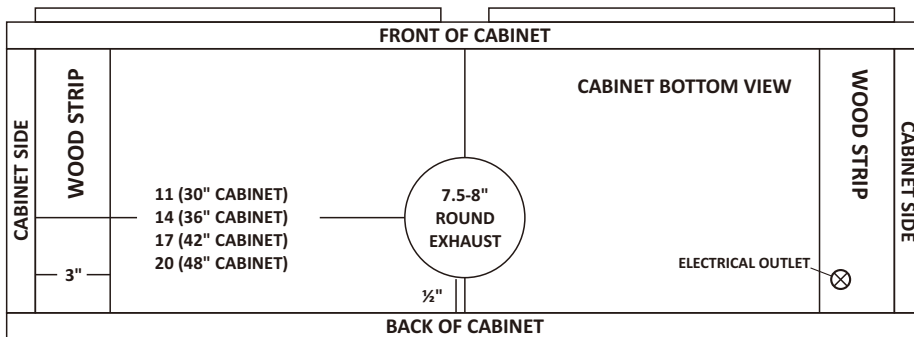
Use Fig. 1b on page 5 for general measurements

Fig. 1c - Cabinet



- e. For cabinet with recessed-bottom, use (2) 3" x 12" or 15" wood strips on both sides to balance the recession. Use (4) 1-1/4" long flat head screws to secure the wood strips to cabinet. (Fig. 1d)

Fig. 1d - Cabinet w/ recessed-bottom



3. HOOD

- a. Inspect for any sign of defect or damage. (ie. scratches, dents, loose seams, etc.)
- b. Power up the unit to make sure it is working properly.
- c. Remove the aluminum filter and unscrew the fillers.
- d. Remove the protective film on the filters and fillers.

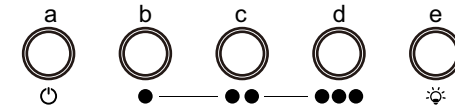
INSTALLATION

UNDER CABINET INSTALLATION (Top round outlet)

- a. Make sure all preparation steps are completed.
 - b. Feed the wires coming out of the hood through the bottom of the cabinet.
 - c. Lift the unit up flush against the wall and the bottom of the cabinet.
 - d. Using the screws and washers provided, insert into each of the keyhole openings and tightly secure the unit against the bottom of the cabinet.
- NOTE: Install more screws through the back of the unit if necessary.**
- e. Connect 7" ducting to the collar of the hood.
 - f. Finish off by sealing the connection point with aluminum tape.

OPERATION & FEATURES

1. CONTROL SWITCH LAYOUT (from left to right)



- a. Power ON / OFF
- b. Low speed
- c. Medium speed
- d. High speed
- e. Lights ON / OFF

Activate delay shut-off: Press "Button A" once to activate 90 seconds delay shut-off. Light surrounding button will flash and fan will turn off after 90 seconds.

Turn off Fan: Press "Button A" twice to instantly turn off the fan.

2. FILTERS

- a. (2) 14-3/8" x 12-3/4" Baffle filters and (2) fillers (30" model)
- b. (2) 14-3/8" x 12-3/4" Baffle filters and (2) fillers (36" model)
- c. (3) 14-3/8" x 12-3/4" Baffle filters and (2) fillers (42" model)
- d. (3) 14-3/8" x 12-3/4" Baffle filters and (2) fillers (48" model)