

# WINDSTER™

[www.windsterhood.com](http://www.windsterhood.com)

## User's Manual

**RH-W30SS**

**RH-W36SS**

**WALL MOUNT SERIES**

**NOTE: PLEASE INSPECT HOOD IMMEDIATELY UPON RECEIVING. CLAIM OF DAMAGE AFTER 7 DAYS OF DELIVERY WILL BE DENIED.**

**This unit is designed for indoor residential use only. DO NOT USE OVER A WOOD GRILL OR MOUNT IN OUTDOOR ENVIRONMENT**

Please read this operation manual thoroughly before using your range hood. Store it in a safe location for when you need to reference it in the future.



## Table of Contents

<i>Safety Information</i> .....	2 – 3
<i>Content Checklist</i> .....	4
<i>Measurements</i> .....	5
<i>Preparation</i> .....	6
<i>Installation</i> .....	7 – 8
<i>Installation Diagram</i> .....	9
<i>Operation &amp; Features</i> .....	10
<i>Cleaning &amp; Maintenance</i> .....	11
<i>Troubleshooting</i> .....	12
<i>Part List / Replacement / Wiring Diagram</i> .....	13
<i>Warranty / Contact Us</i> .....	14 – 15

**SAFETY INFORMATION****TO REDUCE THE RISK OF A FIRE, ELECTRICAL SHOCK, AND/OR INJURY OBSERVE THE FOLLOWING:**

- Unit is intended for indoor residential use only. If you should have questions, contact the manufacturer at the address or telephone number listed in the warranty.
- In case the unit should need to be cleaned or repaired, switch power off at service panel and lock service disconnecting means to prevent power from being switched on accidentally. When the service disconnecting means cannot be locked, securely fasten a prominent warning device, such as a tag, to the service panel.
- Installation work and electrical wiring must be done by a qualified technician in accordance with all applicable codes and standards, including fire-rated construction.
- Sufficient air is needed for proper combustion and exhausting of gases through the flue (chimney) of fuel burning equipment to prevent back drafting. Follow the heating equipment manufacturer's guideline and safety standards such as those published by the National Fire Protection Association (NFPA), and the American Society of Heating, Refrigeration and Air Conditioning Engineers (ASHRAE), and the local code authorities.
- Because the unit is made of stainless steel, it may contain sharp edges. Be careful to avoid cuts and abrasions by wearing protective gloves during installation and cleaning.
- Before you begin to cut or drill into the wall, verify that there is no electrical wiring or any other hidden electrical components.
- Ducted fans must always be vented to the outdoors.
- The unit must be properly grounded and installed at the recommended height before beginning operation.
- To reduce the risk of fire, use only metal ductwork.

**CAUTION: FOR GENERAL VENTILATING USE ONLY. DO NOT USE TO EXHAUST HAZARDOUS OR EXPLOSIVE MATERIALS AND VAPORS**



## **TO REDUCE THE RISK OF FIRE, OR ELECTRIC SHOCK, DO NOT USE THIS FAN WITH ANY SOLID-STATE SPEED CONTROL DEVICE.**

- Regardless of heat level, never leave any surface materials unattended while operating an open flame.
- Always turn hood ON when cooking at high heat or when flambéing food (i.e. Crepes Suzette, Cherries Jubilee, Peppercorn Beef Flambé).
- Depending on amount of usage, clean ventilating fans and filters frequently. Grease should not be allowed to accumulate on fan or filter. For instructions on the how to clean, see maintenance page.
- Never leave surface units unattended at high settings. Boil-overs may cause smoking and greasy spillovers may ignite as result. Heat oils slowly on low or medium settings.
- Use proper pan size. Always use cookware appropriate for the size of the surface element.



## **TO REDUCE THE RISK OF INJURY TO PERSONS IN THE EVENT OF A RANGE TOP GREASE FIRE, OBSERVE THE FOLLOWING:**

- SMOTHER FLAMES with a close-fitting lid, cookie sheet, or metal tray, then turn off the burner. BE CAREFUL TO PREVENT BURNS. If the flames do not go out immediately, EVACUATE AND CALL 911.
  - NEVER PICK UP A FLAMING PAN —Doing so may result in serious burns and possibly spread the fire.
  - DO NOT USE WATER – Grease fire must be extinguished before further action may be taken. Using water will agitate the grease and may cause a violent steam explosion.
  - Use a Fire Extinguisher ONLY if:
    - ❖ You know you have a Class ABC extinguisher, and you already know how to operate it.
    - ❖ The fire is small and contained in the area where it started.
    - ❖ The fire department is being called.
    - ❖ You are able to safely control the fire with your back to an open exit. \*
- Based on “Kitchen Fire safety Tips” published by NFPA.

**CONTENT CHECKLIST****1. CONTENTS INCLUDED**

- a. (1) RH-W series range hood assembly (30" or 36")
- b. (1) Lower duct cover (17-3/4")
- c. (1) Upper duct cover (17-3/4")
- d. (1) User's manual
- e. (1) 7" Damper transition adapter collar
- f. (2) Stainless Steel Baffle Filters (30" model only)
- g. (3) Stainless Steel Baffle Filters (36" model only)
- h. (1) Mounting packet

**2. OPTIONAL ACCESSORIES NOT INCLUDED**

- a. RH-WEXTDC (Extension duct cover)(UP TO 10' CEILING)
- b. RH-WDK (Ductless kit)

**3. TOOLS REQUIRED (NOT INCLUDED)**

- a. Safety gloves
- b. Safety glasses
- c. Electric drill w/ starter bit
- d. Utility knife
- e. Spirit level
- f. Measuring tape
- g. Writing instrument (pen, marker, pencil)
- h. Aluminum tape

Fig. 1a

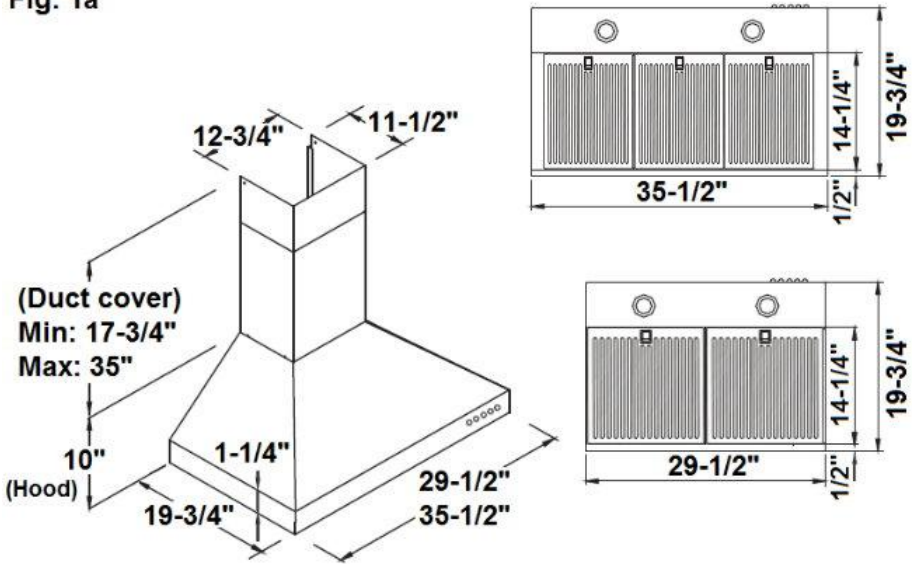
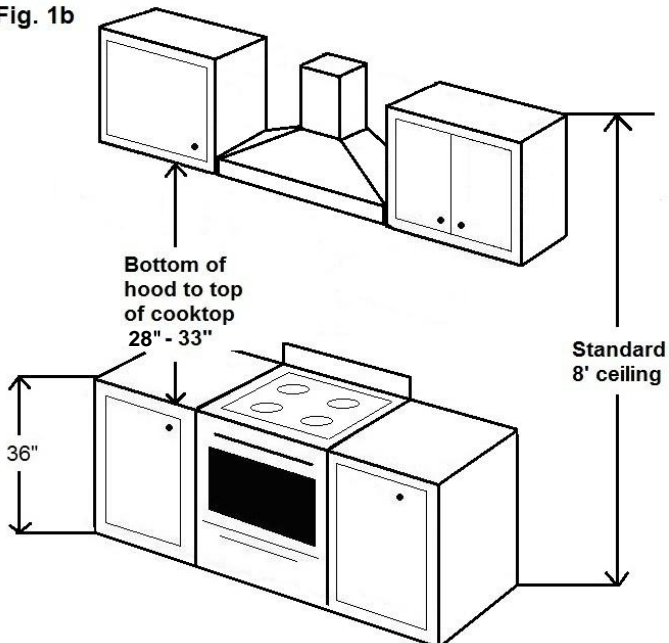


Fig. 1b



## PREPARATION

### 1. BEFORE YOU START

**\*\*BE SURE YOUR UNIT WILL FIT YOUR CEILING HEIGHT\*\***

**\*\*DO NOT INSTALL IF DAMAGED\*\***

**\*\*RETURN OR EXCHANGE WILL BE DENIED IF INSTALLED\*\***

- a. Be sure you have all the content of your purchase and required tools for this installation.
- b. Installation may take at least 2 to 3 hours from start to finish.
- c. For more efficient air flow limit the amount of elbows or turns used in the duct work.
- d. Collar size may need to be increased if utilizing a long duct run.
- e. At least 12" of vertical duct is required before any turn.
- f. Do not attempt to install this unit by yourself, SERIOUS INJURY AND/OR DAMAGE MAY OCCUR.
- g. At least two people are needed for installation.  
Hiring a certified installer and electrician is recommended

### 2. LOCATION

**\*\*THIS MODEL MAY NOT FIT ALL CEILING HEIGHTS\*\***

- a. Determine the exact location where you want to install the range hood.
- b. Distance between cooktop and range hood should be between 28"-33".
- c. Range hood should be mounted at stated measurements to ensure performance and lifespan of electrical components.
- d. Correctly measure the distance needed to install the unit.

### 3. HOOD

- a. Inspect for any sign of defect or damage. (ie. scratches, dents, loose seams, etc.)
- b. Power up the unit to ensure it is working properly prior to installation.

**Use Fig. 1a and 1b page 5 for measurements**

## INSTALLATION

### 1. WALL MOUNT INSTALLATION

- a. Make sure all preparation steps are completed.
- b. Determine your ceiling height to verify if you will require an extension.
  - i. Unit height = **10"**
  - ii. Duct cover height = **17-3/4"** (lower) + **17-3/4"** (upper w/ louvers)
  - iii. Minimum height (duct cover only)= **17-3/4"**
  - iv. Maximum height (duct cover only) = **35"**
  - v. (OPTIONAL) Extension duct cover height = **39-1/2"**
  - vi. Maximum height (duct cover with extension only) = **56"**
- c. Determine the location you want to install the range hood. **(Fig. 2a)**
- d. Mount the unit onto the wall with provided toggle bolt anchors.
- e. Adjust the duct cover mounting bracket to your desired height.
- f. Use a spirit level to ensure the unit is leveled.
- g. Connect the 7" exhaust piping to the outlet collar of the unit. **(Fig. 2b)**
- h. Finish off by sealing the connection point with aluminum tape (Be sure it is secure with no opening or gaps).
- i. Slide the duct cover into the unit and adjust its height. **(Fig. 2c)**
- j. Secure the duct cover with the screws provided. **(Fig. 2d)**

### 2. EXTENSION DUCT COVER INSTALLATION

**\*\*EXTENSION MAY REQUIRE MODIFICATION\*\***

**Windster Hood will not be responsible for any modification done.**

- a. Replace the original upper duct cover piece with the extension.
- b. Determine the desired height (up to 10' ceiling) to mount the duct cover.
- c. **REPEAT STEP F – M of Section 1 WALL MOUNT INSTALLATION section.**



**3. DUCTLESS INSTALLATION**

- a. **AFTER COMPLETING Step A – G of Section 1 WALL MOUNT INSTALLATION.**
- b. Remove the RH-WDK (ductless kit) and inspect for any sign of defect or damage. (ie. dents, broken inlet)
- c. Mount the air diverter at the top of the ceiling using the provided toggle bolt anchors.
- d. Make sure the duct cover vent opening aligns with the air diverter. **(Fig. 2e)**
- e. Connect the exhaust pipe to the collar of the unit. **(Fig. 2b)**
- f. Connect the exhaust pipe to the collar of the air diverter.. **(Fig. 2f)**
- g. **REPEAT STEP K – M of Section 1 WALL MOUNT INSTALLATION.**

**Installation diagram available on next page**

## INSTALLATION DIAGRAM

Fig. 2a

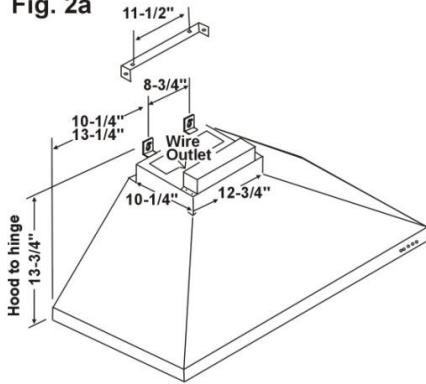


Fig. 2b

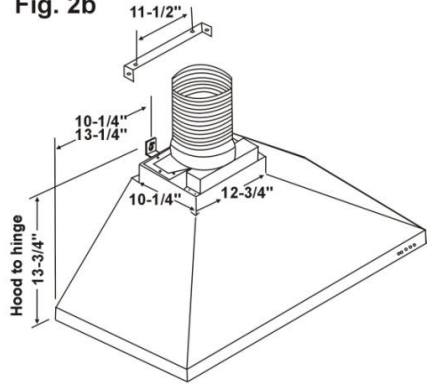


Fig. 2c

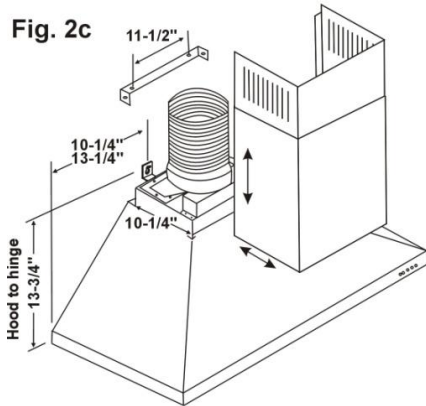


Fig. 2d

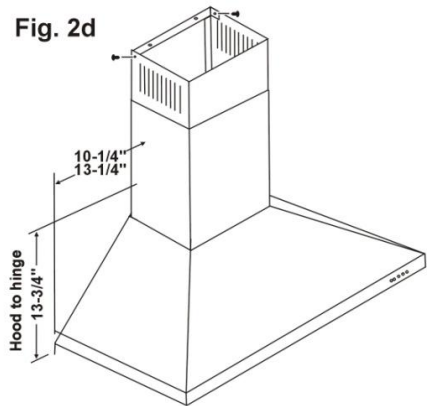


Fig. 2e

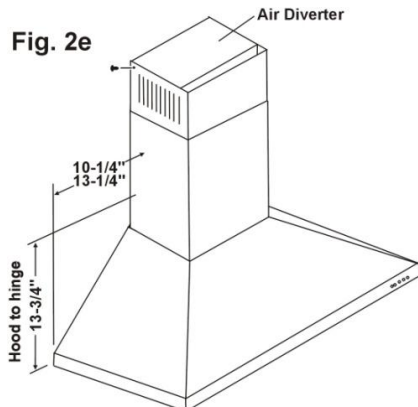
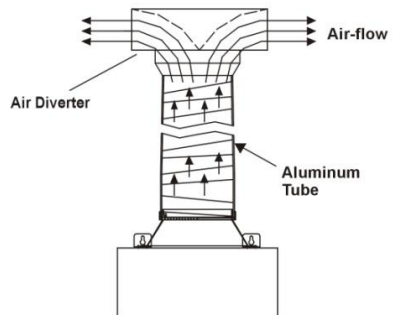


Fig. 2f



## OPERATION & FEATURES

### 1. EASY ACCESS CONTROL SWITCH (from left to right)

- a. Button 1 – Power ON / OFF
- b. Button 2 – Low Speed
- c. Button 3 – Medium Speed
- d. Button 4 – High Speed
- e. Button 5 – Light Switch

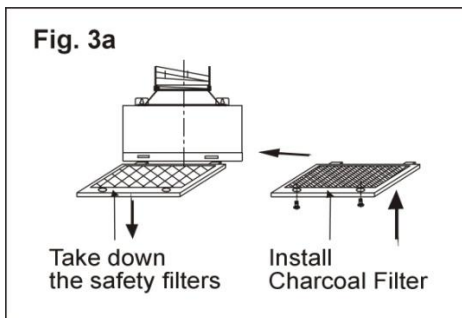
### 2. STAINLESS STEEL BAFFLE FILTERS

- a. (2) 14-1/2" x 13-1/2" stainless steel baffle filters (30" model only)
- b. (3) 14-1/2" x 11" stainless steel baffle filters (36" model only)

### 3. CHARCOAL FILTERS


**\*\*DO NOT WASH CHARCOAL FILTERS! IT WILL DISSOLVE!\*\***


- a. Replace safety filter with charcoal filter. (Fig. 3a)




- b. Installation is complete after the charcoal filter is secured in place.
- c. When to replace a charcoal filter will depend on:
  - i. How often you cook.
  - ii. How long you cook.
  - iii. Types of food you cook

## CLEANING & MAINTENANCE

 To prevent the possibility of a fire and explosion, do not use flammable liquids or solvents to clean the unit or any of its parts.

 Check to make sure all power sources are disconnected before servicing or taking unit apart for cleaning.

 Please thoroughly clean the unit weekly as stainless steel can rust under certain condition or by improper cleaning.

### 1. RANGE HOOD

- a. Use household cleaner to remove grease or dirt from the outer shell of the unit. Spray on wiping cloth or sponge and wipe in the direction of the grain to avoid scratching the unit. (DO NOT SPRAY DIRECTLY ONTO UNIT)
- b. Clean the inner working of the unit periodically to avoid grease build-up.
- c. Do not open control switch panel while the hood is connected to power.
- d. Use stainless steel cleaner to bring back the luster of the unit.

### 2. STAINLESS STEEL BAFFLE FILTER

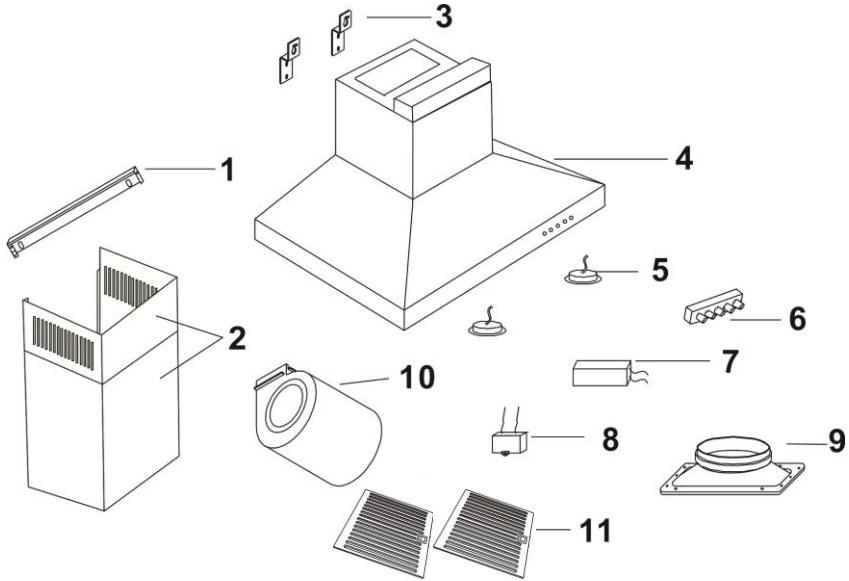
- a. Remove baffle filter from unit and place in warm soapy water.
- b. Clean the filters regularly to maintain efficient suction power.
- c. Do not drop filters.
- d. Let it soak thoroughly and then clean it with a wiping cloth or sponge.
- e. Filters may also be cleaned using residential dishwasher.

**TROUBLESHOOTING**

**Check to make sure all power sources are disconnected before starting any troubleshooting. Safety gloves and glasses should be worn when working on the unit. Serious injury or death may occur if safety precautions are not followed.**

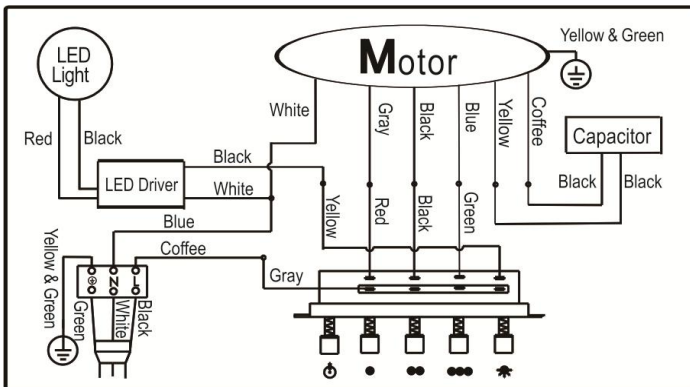
<b>RH-W Series</b>	
Light Issue LED (All not turning on)	<ol style="list-style-type: none"> <li>1. Locate and Replace defective Fixture (All Fixtures run on same circuit)</li> <li>2. New Transformer replacement is required.</li> </ol>
LED light issue	<ol style="list-style-type: none"> <li>1. Check all wiring to and from the unit.</li> <li>2. LED may require new fixture or transformer.</li> </ol>
Lights Flickering	<ol style="list-style-type: none"> <li>1. Ensure wires are properly connected</li> <li>2. Replace light if defected.</li> </ol>
Burnt/melted control switch	<ol style="list-style-type: none"> <li>1. Complete Control switch replacement is required.</li> </ol>
Speed levels not working correctly	<ol style="list-style-type: none"> <li>1. Check all wiring to and from the unit.</li> <li>2. Complete control switch replacement is required.</li> </ol>
Unit lacking smoke intake	<ol style="list-style-type: none"> <li>1. Check ducting for foreign object.</li> <li>2. Ensure the ducting is properly sealed.</li> <li>3. Clean filters to increase airflow.</li> </ol>
Unit showing no power indication	<ol style="list-style-type: none"> <li>1. Make sure the power source is working properly.</li> <li>2. All wiring is connected.</li> <li>3. Check capacitor.</li> </ol>
Unit making humming noise	<ol style="list-style-type: none"> <li>1. Check ducting / dampers for proper installation.</li> <li>2. Replace defective capacitor with new one.</li> </ol>

**PART LIST / REPLACEMENT**



#	Description	#	Description
1	Duct cover bracket	7	Transformer
2	Duct cover	8	Capacitor
3	Hood bracket	9	Transition collar
4	Hood body assembly	10	Squirrel cage motor
5	LED lights	11	Baffle filter
6	Control switch		

**WIRING DIAGRAM**



## WARRANTY / CONTACT US

### LIMITED WARRANTY

Windster Hoods Inc. warrants its product against defects in material or workmanship as follows:

**Parts:** Windster Hoods, Inc. will supply, at no charge, new or rebuilt replacements in exchange for defective parts for a period of two (2) years. After the warranty period, you must pay for all parts costs. During the "parts" warranty period, there will be no charge for parts

**Motor:** Windster Hoods, Inc. will also provide, at no charge, new or rebuilt motor parts in exchange for defective parts for a period of five (5) years, excluding motor cages. After the warranty period, you must pay for all motor parts costs. During the "motor" warranty period, there will be no charge for motor parts.

Please keep the original receipt. This will act as your proof of purchase. You must also provide the serial number and model number of your unit for any replacement parts during the warranty period. This warranty applies only to products purchased and serviced in the United States.

For products purchased in Canada, please contact your local retailer where you purchased the unit for service.

Windster Hoods, Inc. will not be held liable for removal and/or installation fees of the malfunctioning, defective, and/or replacement unit.

\*Windster Hoods, Inc. reserves the right to determine the validity of your warranty claim.

## WHAT IS NOT COVERED BY MANUFACTURER WARRANTY

1. Damages resulting from any of the following:
  - a. Improper installation or maintenance
  - b. Any repair, modification, alteration or adjustment not authorized by the manufacturer or an authorized service dealer
  - c. Misuse, accidents, and/or neglect
  - d. Incorrect electric current, voltage or power supply
  - e. Improper setting of any control (Pressing multiple selections at the same time)
  - f. Improper chemical cleaning (commercial or industrial cleaning agents)
2. Products purchased for use in a commercial or industrial setting (such as in a hotel, office, restaurant, or other business)
3. Damage resulting from natural disasters (earthquake, flood, storm, etc.)
4. Regular maintenance for the product
5. Aluminum Filters, Baffle Filters, Charcoal Filters, Mesh Filters
6. Oil Cups
7. Motor Cage
8. Light Bulbs

## No returns refunds exchanges if the hood

- Is missing parts
- Been Installed
- Been Used

## CONTACT US

Windster Hoods, Inc.

[www.windsterhood.com](http://www.windsterhood.com)

Information subject to change without notice