

Table of Contents

User's Manual

**UNDER CABINET SERIES
WALL MOUNT SERIES**

**RA-34LU30SS
RA-34LU36SS
RA-34LU42SS
RA-34LU48SS**

NOTE: PLEASE INSPECT HOOD IMMEDIATELY UPON RECEIVING. CLAIM OF DAMAGE AFTER 7 DAYS OF DELIVERY WILL BE DENIED.

This unit is designed for indoor residential use only. DO NOT USE OVER A WOOD GRILL OR MOUNT IN OUTDOOR ENVIRONMENT.

Please read this operation manual thoroughly before using your range hood. Store it in a safe location for when you need to reference it in the future.

Safety Information 2 – 4

Content Checklist 5

Measurements 6

Preparation 7 – 8

Installation 9 – 10

Installation Diagram 11

Operation & Features 12– 15

Cleaning & Maintenance 16

Troubleshooting 17

Part List / Replacement 18 – 19

Warranty / Contact Us 20 – 22

SAFETY INFORMATION

TO REDUCE THE RISK OF A FIRE, ELECTRICAL SHOCK, AND/OR INJURY OBSERVE THE FOLLOWING:

- Unit is intended for indoor residential use only. If you should have questions, contact the manufacturer at the address or telephone number listed in the warranty.
- In case the unit should need to be cleaned or repaired, switch power off at service panel and lock service disconnecting means to prevent power from being switched on accidentally. When the service disconnecting means cannot be locked, securely fasten a prominent warning device, such as a tag, to the service panel.
- Installation work and electrical wiring must be done by a qualified technician in accordance with all applicable codes and standards, including fire-rated construction.
- Sufficient air is needed for proper combustion and exhausting of gases through the flue (chimney) of fuel burning equipment to prevent back drafting. Follow the heating equipment manufacturer's guideline and safety standards such as those published by the National Fire Protection Association (NFPA), and the American Society of Heating, Refrigeration and Air Conditioning Engineers (ASHRAE), and the local code authorities.
- Because the unit is made of stainless steel, it may contain sharp edges. Be careful to avoid cuts and abrasions by wearing protective gloves during installation and cleaning.
- Before you begin to cut or drill into the wall, verify that there is no electrical wiring or any other hidden electrical components.
- Ducted fans must always be vented to the outdoors.
- The unit must be properly grounded and installed at the recommended height before beginning operation.
- To reduce the risk of fire, use only metal ductwork.

CAUTION: FOR GENERAL VENTILATING USE ONLY. DO NOT USE TO EXHAUST HAZARDOUS OR EXPLOSIVE MATERIALS AND VAPORS

TO REDUCE THE RISK OF FIRE, OR ELECTRIC SHOCK, DO NOT USE THIS FAN WITH ANY SOLID-STATE SPEED CONTROL DEVICE.

- Regardless of heat level, never leave any surface materials unattended while operating an open flame.
- Always turn hood ON when cooking at high heat or when flambéing food (i.e. Crepes Suzette, Cherries Jubilee, Peppercorn Beef Flambé).
- Depending on amount of usage, clean ventilating fans and filters frequently. Grease should not be allowed to accumulate on fan or filter. For instructions on the how to clean, see maintenance page.
- Never leave surface units unattended at high settings. Boil-overs may cause smoking and greasy spillovers may ignite as result. Heat oils slowly on low or medium settings.
- Use proper pan size. Always use cookware appropriate for the size of the surface element.

TO REDUCE THE RISK OF INJURY TO PERSONS IN THE EVENT OF A RANGE TOP GREASE FIRE, OBSERVE THE FOLLOWING:

- SMOTHER FLAMES with a close-fitting lid, cookie sheet, or metal tray, then turn off the burner. BE CAREFUL TO PREVENT BURNS. If the flames do not go out immediately, EVACUATE AND CALL 911.
 - NEVER PICK UP A FLAMING PAN —Doing so may result in serious burns and possibly spread the fire.
 - DO NOT USE WATER – Grease fire must be extinguished before further action may be taken. Using water will agitate the grease and may cause a violent steam explosion.
 - Use a Fire Extinguisher ONLY if:
 - ❖ You know you have a Class ABC extinguisher, and you already know how to operate it.
 - ❖ The fire is small and contained in the area where it started.
 - ❖ The fire department is being called.
 - ❖ You are able to safely control the fire with your back to an open exit. *
- Based on "Kitchen Fire safety Tips" published by NFPA.

SAFETY INFORMATION **4**



PROP. 65 WARNING FOR CALIFORNIA RESIDENTS:

- This product may contain chemicals known to the State of California to cause cancer, birth defects, or other reproductive harm.

5 CONTENT CHECKLIST

CONTENT CHECKLIST

1. CONTENTS INCLUDED

- (1) RA-34L series (30", 36" 42" or 48") hood assembly
- (1) User's manual
- (1) Black 6" to 7" conversion collar
- (2) Baffle filters w/ handles & (2) stainless steel filler (30" model only)
- (2) Baffle filters w/ handles & (3) stainless steel filler (36" model only)
- (2) Baffle filters w/ handles & (3) stainless steel filler (42" model only)
- (3) Baffle filters w/ handles & (2) stainless steel filler (48" model only)
- (1) Oil tray
- (1) Screw packet
- (1) Light Fixture Tool

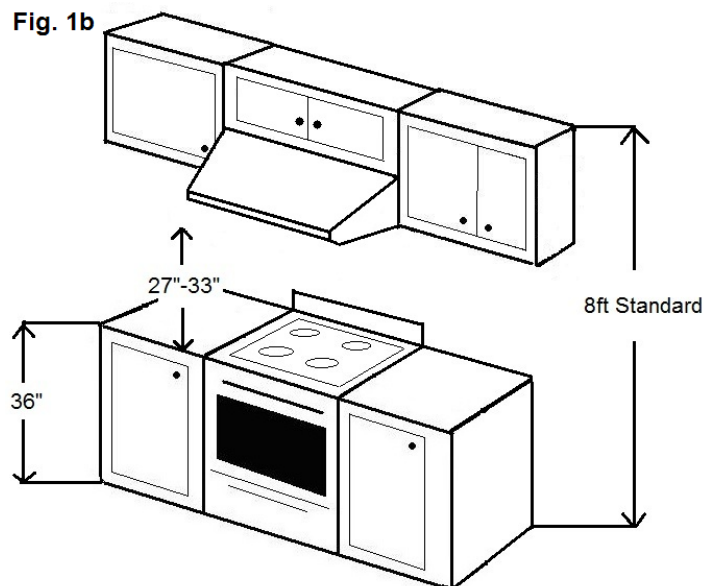
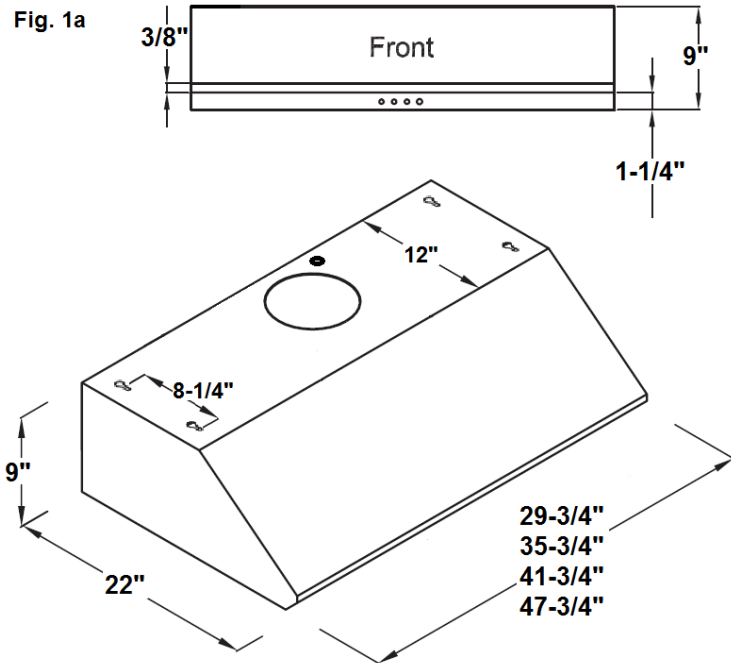
2. CONTENTS NOT INCLUDED

- RA-34LCFMR (CFM reducer)
- RA-34LDC (Duct cover)
- 6" / 7" Aluminum or metal piping

3. TOOLS REQUIRED (NOT INCLUDED)

- Safety gloves
- Safety glasses
- Electric drill w/ starter bit
- Utility knife
- Spirit level
- Measuring tape
- Writing instrument (pen, marker, pencil)
- Aluminum tape

MEASUREMENTS 6



7 PREPARATION

PREPARATION

1. BEFORE YOU START

****DO NOT INSTALL IF DAMAGED****

****RETURN OR EXCHANGE WILL BE DENIED IF INSTALLED****

- Be sure you have all the content of your purchase and required tools for this installation.
- Installation may take at least 2 to 3 hours from start to finish.
- Plan to use as few elbows or turns as possible for more efficient air flow.
- Collar size may need to be increased if utilizing a long duct run.
- At least 12" of vertical duct is required before any turn.
- Do not try to install this unit by yourself, **SERIOUS INJURY MAY OCCUR.**
- At least two people are needed for installation.
- Hiring a certified installer and electrician is recommended.
- Cold weather installation will require make-up air or a CFM reducer. Check with your local building codes for more detail.

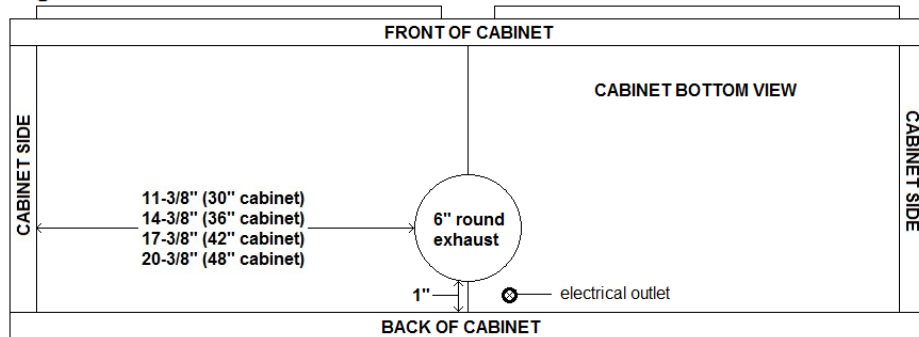
2. LOCATION

- Determine the exact location you want to install the range hood.
- Distance between cooktop and range hood should be between 27"-33".
- Range hood should be mounted at stated measurements to ensure performance and lifespan of electrical components.
- Correctly measure the dimension needed to install the unit.

Use Fig. 1a and 1b on page 5 for measurements

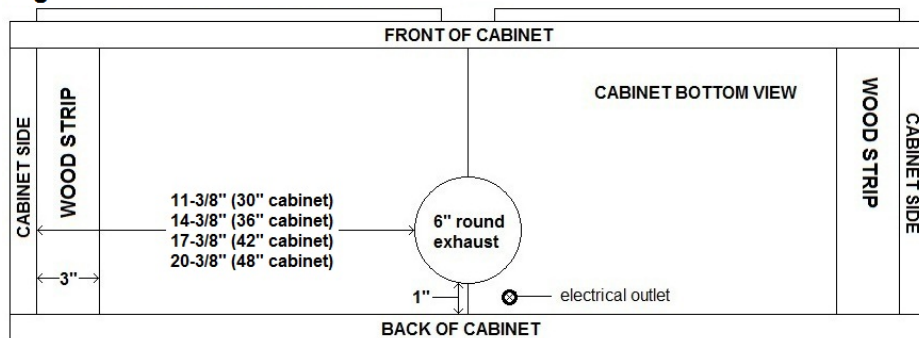
PREPARATION 8

Fig. 1c - Cabinet



- e. For cabinet with recessed-bottom, use (2) 3" x 12" or 15" wood strips on both sides to balance the recession. Use (4) 1-1/4" long flat head screws to secure the wood strips to cabinet. (Fig. 1d)

Fig. 1d - Cabinet w/ recessed-bottom



3. HOOD

- a. Inspect for any sign of defect or damage. (ie. scratches, dents, loose seams, etc.)
- b. Power up the unit to make sure it is working properly.
- c. Remove the protective file on the baffle filters and fillers.
- d. Install baffle handles on filters using a Philips screwdriver.

9 INSTALLATION

INSTALLATION

1. UNDER CABINET INSTALLATION

- a. Make sure all preparation steps are completed.
- b. Feed the wires coming out of the hood through the bottom of the cabinet.
- c. Lift the unit up flush against the wall and the bottom of the cabinet.
- d. Using the screws and washers provided, insert into each of the keyhole openings and tightly secure the unit against the bottom of the cabinet.

NOTE: Install more screws through the back of the unit if necessary.

- e. Use the conversion collar for 7" ducting.
- f. Connect 6" or 7" ducting to the collar of the hood.
- g. Finish off by sealing the connection point with aluminum tape.

2. WALL MOUNT INSTALLATION (OPTIONAL)

- a. Optional RA-34LDC duct cover is required for wall mount installation.
- b. Inspect the RA-34LDC for any sign of defect or damage. (ie. scratches, dents, loose seams, etc.)
- c. Be sure you have the following content.
 - i. Two piece stainless steel duct cover
 - ii. Duct cover height = 19-1/8" (lower) + 20-1/8" (upper)
 - iii. Plastic duct cover mounting panel
 - iv. Screw packet
 - v. Hood mounting bracket
 - vi. Duct cover mounting bracket
- d. Determine the exact location you want to install the range hood.
- e. Prepare back wall frame with cross wood support.
- f. Install the hood mounting bracket to the back of the unit and secure it with the (6) screws provided. **(Fig. 2a)**
- g. Install the duct cover mounting panel with the (5) screws provided.
- h. Use a spirit level to ensure the balance of the hood is true.
- i. Mount the unit onto wall with mounting screws (not included) **(Fig. 2b)**

INSTALLATION 10

- j. Use a spirit level to ensure the balance of the hood is true.
- k. Mount the unit onto wall with mounting screws (not included) (**Fig. 2b**)
- l. Determine the desired location for mounting the duct cover bracket and secure it with the (2) screws provided. (**Fig. 2c**)

NOTE: IF USING CFM reducer, connect the reducer to unit before continuing.

- m. Connect 6" ducting to the collar of the unit and secure it with aluminum tape. (**Fig. 2d**)
- n. Adjust the duct cover to the desired height and slide it into the duct cover mounting panel and bracket. (**Fig. 2e**)
- o. Secure it with the (2) duct cover screws provided. (**Fig. 2f**)

3. COLD WEATHER INSTALLATION (OPTIONAL)

- a. Check with your local building codes to see if a CFM reducer is an acceptable alternative to make-up air.
- b. Remove the RA-34LCFMR (CFM Reducer) and inspect for any sign of defect or damage. (ie. Cracks, broken flips)
- c. **For UNDER CABINET installation: COMPLETE Step A – D of Section 1 UNDER CABINET INSTALLATION THEN GO TO STEP E BELOW.**
- d. **For WALL MOUNT installation: COMPLETE Step A – J of Section 2 WALL MOUNT INSTALLATION THEN GO TO STEP E BELOW.**
- e. Place the CFM reducer onto the outlet of the unit and seal the connection point with aluminum tape. (Be sure it is secure with no opening or gaps)
- f. Connect a 6" ducting to the collar of the CFM reducer.
- g. Finish off by sealing the connection point with aluminum tape.

11 INSTALLATION DIAGRAM

INSTALLATION DIAGRAM

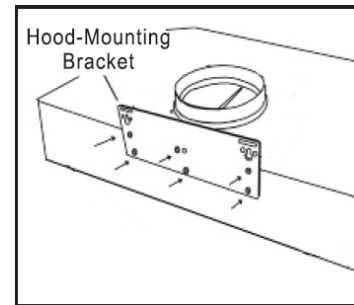


Fig. 2a

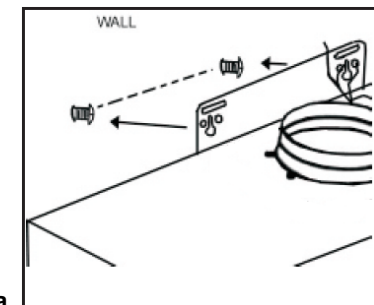


Fig. 2b

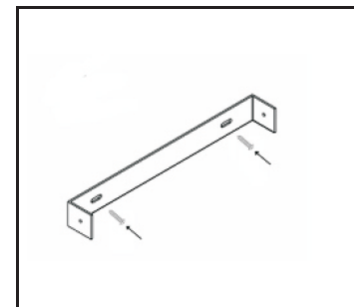


Fig. 2c

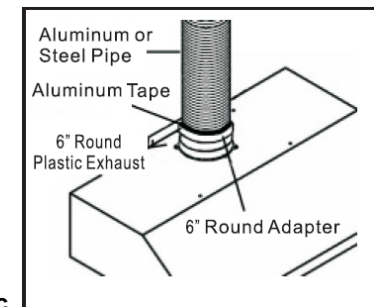


Fig. 2d

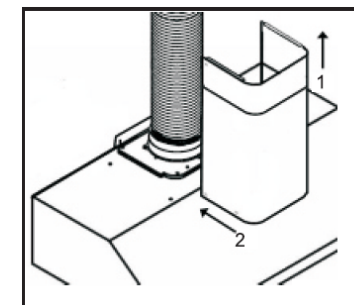


Fig. 2e

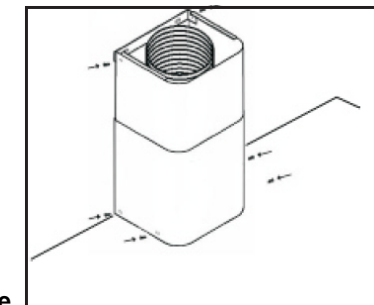


Fig. 2f

OPERATION & FEATURES**1. EASY ACCESS CONTROL SWITCH (from left to right)**

- a. Button 1 – ON / DELAY SHUTOFF / OFF
- b. Button 2 – Light control
- c. Button 3 – Speed control
- d. Blue color speed indicator

2. BAFFLE FILTERS

- a. (2) 14-3/8" x 12-3/4" baffle filters and (2) fillers (30" model only)
- b. (2) 14-3/8" x 12-3/4" baffle filters and (2) fillers (36" model only)
- c. (3) 14-3/8" x 12-3/4" baffle filters and (2) fillers (42" model only)
- d. (3) 14-3/8" x 12-3/4" baffle filters and (2) fillers (48" model only)

3. GU10 LED 5W LIGHT FIXTURES

- a. A set of (2) (3) GU10 5W LED light fixtures will be included.
- b. Additional GU10 LED lamps may be purchased separately at your local hardware store.
- c. Light socket can accommodate both halogen and LED lamps without the needing to change the transformer.

4. REPLACING THE LIGHT SET****NOTE: BE SURE THE LIGHTS ARE NOT HOT***** Use maximum of GU10 5W LED light bulb ***

- a. Twist outer light ring counter clock wise with light key.
- b. Outer light ring should drop down along with the light bulb.
- c. Slightly pull the light away from the ring.
- d. Move light to left or right side of the ring.
- e. Twist light bulb counter clock wise to release it.
- f. Replace light bulb.

**Electrical Shock Hazard**

Warning: To avoid electrical shock, replacement GU10 bulbs **MUST** contain UL or CSA certification.

****STEP BY STEP DIAGRAM ON NEXT PAGE**

OPERATION & FEATURES 14

Using the light fixture tool provided, lineup each corner of the fixture tool in parallel with the notches located on the outer ring of the light fixture. Twist the outer ring counter clockwise to unlock the light fixture housing.

Light Fixture Tool



WARNING!!!

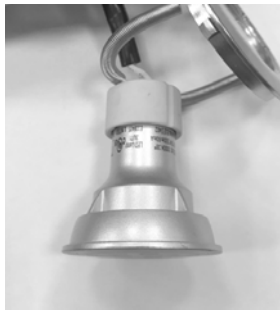
⚠️ Check to make sure all power sources are disconnected before starting any troubleshooting. Safety gloves and glasses should be worn when working on the unit. Serious injury or death may occur if safety precautions are not followed.



Step 1
Twist light ring counter-clock wise to unlock.



Step 2
Pull the light upward.



Step 3
Push light to left or right side.



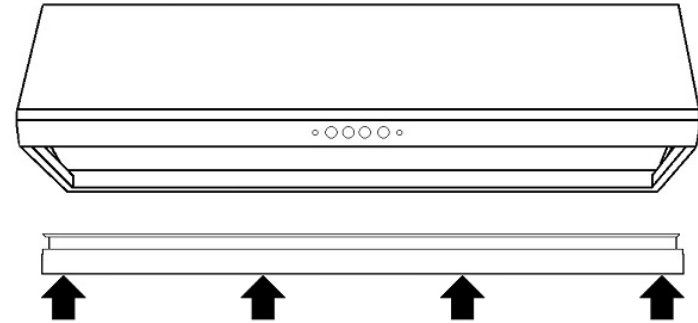
Step 4
Remove the light by turning light counter-clock wise

15 OPERATION & FEATURES

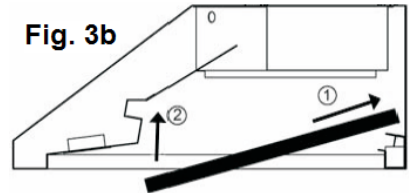
5. PUTTING IN THE OIL TRAY AND BAFFLE FILTERS

- a. Insert the oil tray into the unit at an angle. (Fig. 3a)

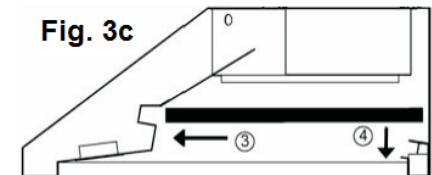
Fig. 3a



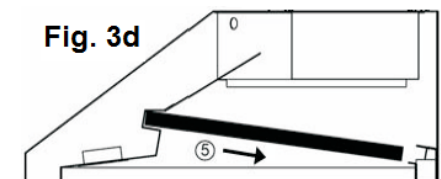
- b. ① Slide the baffle filter into the hood.
② Push the baffle filter upward.



- c. ③ Slide the baffle filter toward you.
④ Pull the end of the baffle filter downward.




- d. ⑤ Fit into place.





CLEANING & MAINTENANCE 16

CLEANING & MAINTENANCE

WARNING!!!

 To prevent the possibility of a fire and explosion, do not use flammable liquids or solvents to clean the unit or any of its parts.

 Check to make sure all power sources are disconnected before servicing or taking unit apart for cleaning.

 Please thoroughly clean the unit weekly as stainless steel can rust under certain condition or by improper cleaning.

1. RANGE HOOD

- a. Use household cleaner to remove grease or dirt from the outer shell of the unit. Spray on wiping cloth or sponge and wipe in the direction of the grain to avoid scratching the unit. (DO NOT SPRAY DIRECTLY ONTO UNIT)
- b. Clean the inner working of the unit periodically to avoid grease build-up.
- c. Do not open control switch panel while the hood is connected to power.
- d. Use stainless steel cleaner to bring back the shine to the unit.


2. BAFFLE FILTERS

- a. Remove baffle filters from unit and place in warm soapy water.
- b. Clean the baffle filters regularly for the most efficient suction power.
- c. Do not drop baffle filters or filler.
- d. Let it soak thoroughly and then clean it with wiping cloth or sponge.
- e. Baffle filters may also be cleaned using residential dishwasher.

17 TROUBLESHOOTING

TROUBLESHOOTING

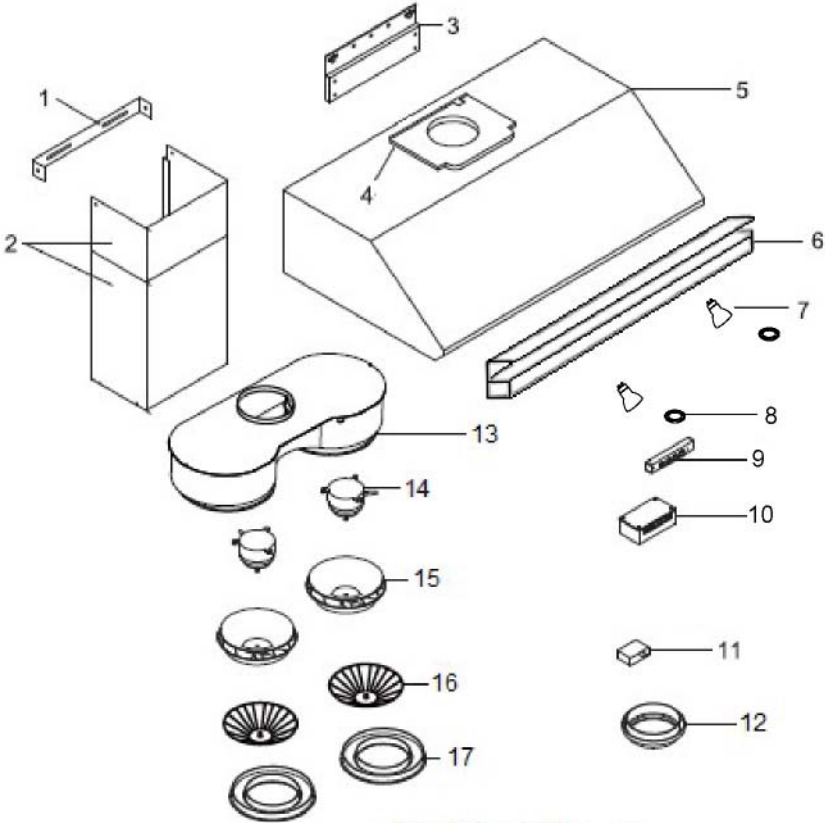
WARNING!!!

 Check to make sure all power sources are disconnected before starting any troubleshooting. Safety gloves and glasses should be worn when working on the unit. Serious injury or death may occur if safety precautions are not followed.

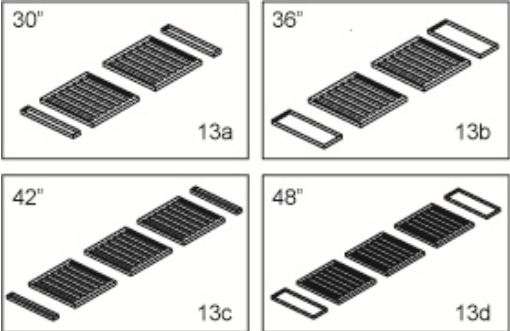
RA-34L Series	
GU10 LED Light Issue (One light not turning on or all not turning on)	1. Replace old defective GU10 fixture with new GU10 LED 5W light fixtures found at your local hardware store.
Speed indicator not showing speed levels	1. Complete Control switch replacement is required. 2. IC Board Replacement may be needed.
Burnt/melted control switch	1. Complete Control switch replacement is required.
Speed levels not working correctly	1. Check all wiring to and from the unit. 2. Complete control switch replacement is required. 3. IC Board Replacement may be needed
Unit lacking smoke intake	1. Check ducting for foreign object. 2. Ensure that ducting is properly sealed. 3. Maintenance may be required to increase air-flow.
Unit showing no power indication	1. Ensure 120v electrical power source is working correctly. 2. IC Board Replacement may be required.
Unit making humming noise/Motor not starting;/ LCD indicator not displaying speed levels.	1. Capacitor replacement is required.

PART LIST / REPLACEMENT 18

PART LIST / REPLACEMENT



Baffle Filters



19 PART LIST / REPLACEMENT

#	Description	#	Description
1	Duct cover bracket (optional)	12	6" – 7" transition collar
2	Duct cover (optional)	13	Air chamber
3	Hood bracket (optional)	14	Motor
4	Duct cover panel (optional)	15	Fan impeller
5	Hood body assembly	16	Protective grill
6	Oil tray bar	17	Oil funnel
7	GU10 5W LED lights	18a	(2) baffle filters / (2) fillers (30" model)
8	Outer light ring	18b	(2) baffle filters / (3) fillers (36" model)
9	Control switch	18c	(2) baffle filters / (3) fillers (42" model)
10	Control board	18d	(3) baffle filters / (2) fillers (48" model)
11	Capacitor		

WARRANTY / CONTACT US**LIMITED WARRANTY**

Windster Hoods Inc. warrants its product against defects in material or workmanship as follows:

Labor: For a period of (1) year from the date of purchase, if the product is determined to be defective, Windster will attempt to repair the product, at its option, at no charge. After the warranty period has expired, the consumer will be responsible for all labor fees. (All labor repairs are limited to the installation of internal components)

Parts: Windster Hoods, Inc. will supply, at no charge, new or rebuilt replacements in exchange for defective parts for a period of two (2) years. After the warranty period, consumer will be responsible for all parts costs. During the "parts" warranty period, there will be no charge for parts.

Motor: Windster Hoods, Inc. will also provide, at no charge, new or rebuilt motor parts in exchange for defective parts for a period of five (5) years, excluding motor cages. After the warranty period, consumer will be responsible for all motor parts costs. During the "motor" warranty period, there will be no charge for motor parts.

Please keep the original sales receipt, as it will constitute as your proof of purchase. Consumer must provide the serial number and the original sales receipt to submit a warranty claim. Warranty claims submitted without serial number and original sales receipt will be denied. This warranty applies only to products purchased and serviced in the United States.

For products purchased in Canada, please contact your local retailer where you purchased the unit for service.

Windster Hoods, Inc. will not be held liable for removal and/or installation fees of the malfunctioning, defective, and/or replacement unit.

*Windster Hoods, Inc. reserves the right to determine the validity of your warranty claim.

WHAT IS NOT COVERED BY MANUFACTURER WARRANTY

1. Damages resulting from any of the following:
 - a. Improper installation or maintenance
 - b. Any repair, modification, alteration or adjustment not authorized by the manufacturer or an authorized service dealer
 - c. Misuse, accidents, and/or neglect
 - d. Incorrect electric current, voltage or power supply
 - e. Improper setting of any control (Pressing multiple selections at the same time)
 - f. Improper chemical cleaning (commercial or industrial cleaning agents)
2. Products purchased for use in an outdoor, commercial, and/or industrial setting (such as in a hotel, office, restaurant, or other business)
3. Damage resulting from natural disasters (earthquake, flood, storm, etc.)
4. Regular maintenance for the product
5. Wear and maintenance items such as:
 - a. Aluminum Filters, Baffle Filters, Charcoal Filters, Mesh Filters, Oil cups, Lighting bulbs, light fixtures etc.
6. Corrosion
7. Oil Cup
8. Motor Cage
9. Light Bulbs

No returns refunds exchanges if the hood

- Is missing parts
- Been Installed
- Been Used

CONTACT US

Windster Hoods, Inc.

www.windsterhood.com

Information subject to change without notice